

# BIRO®

## *Our Equipment Works Harder So You Don't Have To*

The Biro 346SS is a compact stainless steel manual feed grinder that is well suited to today's smaller meat rooms. Its 3 HP motor has plenty of power, and the size 32 head and square throat bowl ensure plenty of productivity. The 346's compact size means it can fit into tight places, which makes it just right for today's smaller grocery store meat rooms. The single reduction roller chain drive ensures maximum power, and the tapered roller bearings mean trouble-free operation. The bowl assembly and feed tray are easily removed without tools, so cleanup is a snap. Efficiency, durability, and low, low maintenance all help make the Biro 346SS Meat Grinder work harder so you don't have to.



# 346SS



**Stands alone for quality  
and value since 1921**

## SPECIFICATIONS

**MODEL** 346 GRINDER (CHOPPER, MINCER).  
**CONSTRUCTION** STAINLESS STEEL FEED PAN AND POLISHED STAINLESS STEEL CASE,  
 CAST IRON HOT TIN-DIPPED BOWL ASSEMBLY, SIZE 32.

**MOTORS**

HP	TYPE	KW	VOLTS	AMPS	HERTZ	PHASE	CODE
3	ODP	2.25	208-230/460	15-14/7	60	3	STD
3	ODP	2.25	208-220	18-17	60	1	STD
3	ODP	2.25	200	10	60	3	EC
3	ODP	2.25	220/380	12/7	50	3	EC
3	ODP	2.25	220-230	19-18	50	1	EC

ODP=OPEN DRIP PROOF STD=STANDARD NC=NO CHARGE  
 EC=EXTRA CHARGE NA=NOT AVAILABLE

**SWITCH** WATERTIGHT ENCLOSURE, MAGNETIC, THERMAL  
 OVERLOAD TYPE, AUTOMATIC RESETTING, SWITCH  
 CONTROLLED BY A ROCKER ROD ARRANGEMENT  
 PROJECTING OUTSIDE BOTH SIDES OF MACHINE  
 ACTIVATED BY SWITCH ROD HANDLE.

**POWER CORD** AVAILABLE OPTION AT EXTRA COST.

**CAPACITY FEED PAN** APPROXIMATELY 85 LBS. (38 KG).

**GRINDING CAPACITY** UP TO 45 LBS. (20 KG) PER MINUTE,  
 1/8" PLATE FIRST GRIND.

**DRIVE SYSTEM** PRE-LUBRICATED CHAIN DRIVE.

**SAFETY** MAGNETIC SAFETY INTERLOCK SO MACHINE WILL  
 NOT OPERATE WHEN FEED PAN WITH WELDED BOWL  
 GUARD IS REMOVED.

**STANDARD FEATURES** 11" (280 MM) ALUMINUM LEGS, SPURT GUARD, STOMPER,  
 RING WRENCH, BOWL GUARD ON FEED PAN,  
 OPERATING AND SAFETY MANUAL.

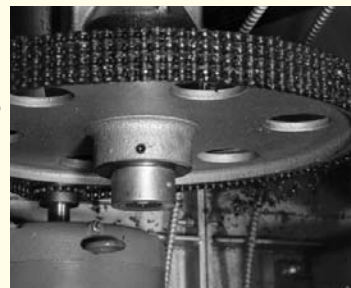
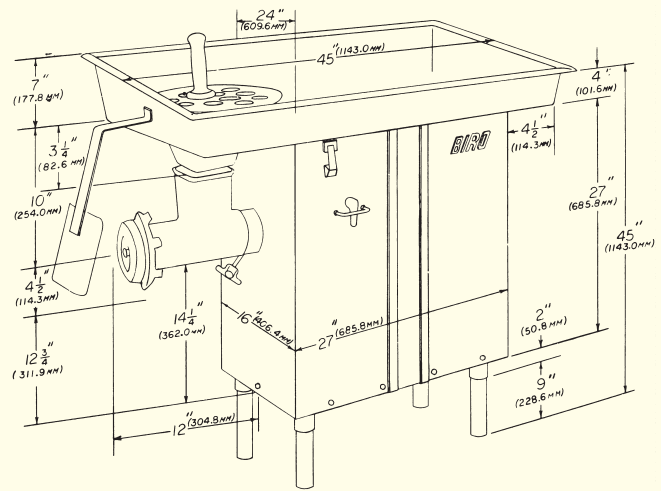
**OPTIONS (EC)** SIZE 32 KNIFE AND PLATE, LONGER LEGS, POWER CORD,  
 220/380-50-3, 220-50-1, STAINLESS STEEL BOWL  
 ASSEMBLY (ENTERPRISE OR UNGER),  
 SOLID STOMPER, RIGHT HAND FEED PAN.

**OPTIONS (NC)** NA

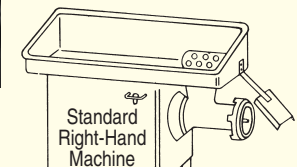
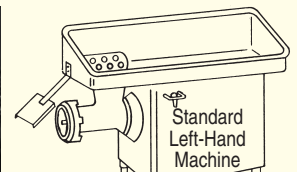
**CERTIFICATION** U.S.D.A., N.S.F., U.L. - 3 PHASE.

**WEIGHT**  
 1 PHASE UNCRATED: 344 LBS. (156 KG) APPROXIMATE.  
 1 PHASE CRATED: 420 LBS. (191 KG) APPROXIMATE.  
 3 PHASE UNCRATED: 345 LBS. (157 KG) APPROXIMATE.  
 3 PHASE CRATED: 435 LBS (198 KG) APPROXIMATE.

**DIMENSIONS CRATED** L = 30" (762 CM), W = 59" (1499 CM), H = 40" (1016 CM).



BIRO EXCLUSIVE NON-SLIP CHAIN  
 DRIVE TRANSMISSION.



**THE BIRO MANUFACTURING COMPANY**  
**1114 WEST MAIN STREET**  
**MARBLEHEAD, OH 43440-2099 U.S.A.**  
**Phone: (419) 798-4451**  
**Fax: (419) 798-9106**  
**<http://www.birosaw.com>**  
**[sales@birosaw.com](mailto:sales@birosaw.com)**

ALL SPECIFICATIONS CONTAINED HEREIN ARE SUBJECT TO CHANGE WITHOUT NOTIFICATION.

ITEM NO.: LIT 346-204  
 FORM NO.: Md 346-9-08-13-MARK

Service is available from over 245 locations worldwide