



Known for Reliability Since 1921

The BIRO 22SS Meat Saw, 12" (30.5cm) diameter Blade Wheels, 91" (231cm) Saw band is a smaller saw that's ideal for small meat shops, grocery service meat counters, and fish shops. It's 1½ HP motor has the power and size to meet your custom meat and fish cutting needs. The unitized welded stainless steel base and cast aluminum head (optional stainless head) resist corrosion and ensure long equipment life. The upper wheel assembly and lower wheel drive assembly utilize tapered roller bearings for smooth operation and low long term maintenance. It's separated, enclosed motor compartment helps protect the motor against moisture and corrosion. The optional stainless steel head assembly and optional watertight magnetic switch assembly turn the 22SS into a perfect production saw for meat, poultry and fish cutting operations. Our 22SS incorporates the superior design and engineering you've come to expect from BIRO, which means you'll get years of use, low maintenance, and lower overall cost of ownership.



*Shown with standard
Aluminum Head*



*Optional extra cost
Stainless Steel Head*

22SS

MODEL SPECIFICATIONS

Model: Model 22SS Power Meat Saw Series

Motors: EC = Extra Cost OP = Open
 STD = Standard TE = Totally Enclosed

HP	KW	TYPE	VOLTS	AMPS	CYCLE	PH	STATUS
1½	1.1	TE	115/208-230	17.4/8.7-8.7	60	1	STD
1½	1.1	TE	230/380/460	4.04/2.43/2.02	50/60	3	STD
1½	1.1	OP	110/220	16.8/8.4	50	1	EC
2	1.5	TE	208-230/460	5.8-5.25/2.63	50/60	3	EC

Construction: Stainless steel base, Aluminum head standard;
 Stainless Steel head structure (optional - extra cost)

Standard Features: Two saw blades • Operation and safety manual •
 Safety wall poster • End cut safety pusher plate.

Switch: Toggle, standard, 2HP rated.

Head and Door: Aluminum, (optional stainless steel), entire
 assembly removable.

Base Structure: Stainless steel.

Blade Standard: Hard tooth, four teeth per inch, 5/8" (16mm) wide,
 .020 (.51mm) thick, 91" (2311.4mm) long (two supplied with each saw).

Blade Speed: 3000 feet (914m) per minute approx.

Blade Back-up Guides: Upper and lower blade backup guide assemblies,
 removable, with long life carbide back-up inserts.

Blade Wheels: 12" (30.5cm) cast iron, chrome nickel plating,
 upper wheel assembly lifts out.

Bearings: Heavy duty tapered roller bearings used in upper wheel and
 lower bearing housings.

Catch Pan: Poly, extra deep (rounded corners) bone dust pan sealed off from
 other parts of base, accessible through base hinged door.

Cleaning Unit: Stainless steel body, long life carbide guide insert,
 stainless steel saw cleaners, removable as a unit for easy cleaning.

Drive System: Non slip silent v-belt, tension adjustable.

Legs: Four (4) stainless steel leg bolt levelers.

Meat Carriage: Stainless steel with nylon guides and stainless steel
 bearings.

Meat Gauge Plate: Stainless steel faced, adjustable from 1/16" (1.59mm) to
 6½" (165mm) locks in position, can be disengaged, entire assembly
 removable for cleaning.

Motor Compartment: Sealed off from meat contact areas, easily accessible
 through removable panel door.

Rear Platter: All stainless steel, held in place with two push pull hold down
 stainless steel rods.

Safety End Cut Pusher Plate: Standard, removable.

Options (EC): Power cord and plug • Totally enclosed motor • Watertight
 magnetic switch with thermal overload and under voltage protection •
 Stainless steel head • General purpose manual push button switch,
 2HP motor • Stationary front table (see drawing at right).

Certification: U.L., N.S.F., U.S.D.A., C.F.I.A.
 C.S.A.: 115-60-1 & 230-60-3

Weight: Uncrated: 308lbs. (140 kg.) approximate.
 Crated: 342lbs. (155 kg.) approximate. SS head - add 20 lbs. (9kg).

Dims. Crated: L = 32" (81.3 cm), W = 40" (101.6 cm), H = 41" (104 cm).

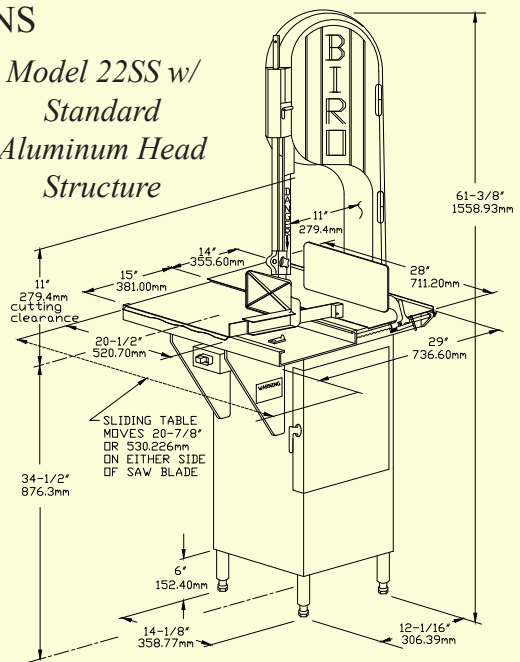
BIRO MANUFACTURING COMPANY
 1114 WEST MAIN STREET
 MARBLEHEAD, OH 43440-2099 U.S.A.

Phone: (419) 798-4451 • Fax: (419) 798-9106

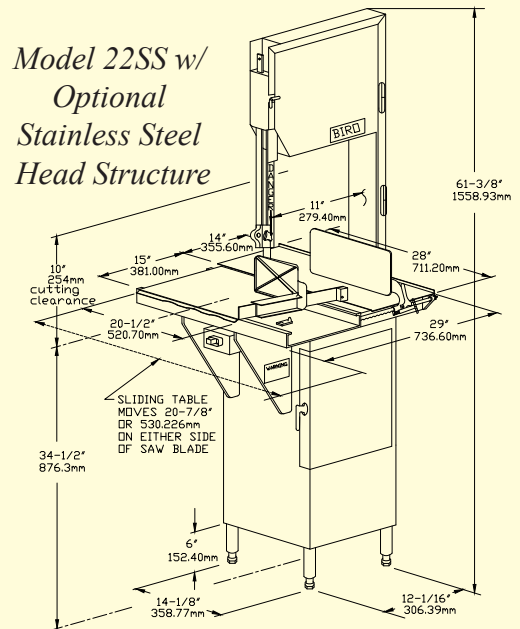
www.birosaw.com • sales@birosaw.com

All specifications contained herein are subject to change without notification.

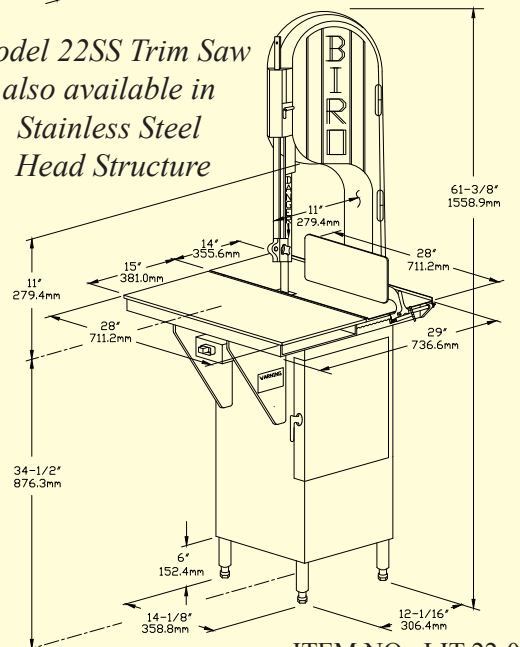
*Model 22SS w/
 Standard
 Aluminum Head
 Structure*



*Model 22SS w/
 Optional
 Stainless Steel
 Head Structure*



*Model 22SS Trim Saw
 also available in
 Stainless Steel
 Head Structure*



ITEM NO.: LIT-22-008

FORM NO.: Md 22-008-7-15-56-B

Service is available from locations worldwide