

**Known for Reliability**  
**Since 1921**



*Md. 44SSLP custom Low Profile, high speed, portion control Power Cutter, equipped with a standard meat thickness gauge. See reverse side to view the optional micro meter thickness gauge fence.*



*Md. 44SS standard configuration, right to left feed, front moving carriage, stationary rear table.*

The BIRO Models 44SS Stainless Steel Standard and 44SSLP Stainless Steel Low Profile Power Meat Saws are heavy-duty, high-volume bandsaws that are well-suited for continuous intensive use. They have 3HP motors and 4000 (44SS) or 5000 (44SSLP) feet per minute as standard blade speeds that provide you with plenty of power and productivity. BIRO's exclusive EZ-Flow meat carriages help reduce operator fatigue and increase productivity. The watertight magnetic electrical controller helps ensure safe, reliable operation, and when you combine this with the optional 5HP moisture resistant motor and heavy duty stainless steel base and head, you get a saw that will stand up to daily washdown and harsh cleaners. The 18" diameter saw blade wheels let you cut larger product pieces than other saws. A broad range of designs, configurations, and options, give you the flexibility to acquire a saw that fits your exact needs. Of course, the Models 44SS and 44SSLP Saws have all of the superior design durability and engineering features you've come to expect from BIRO, which means you'll get years of reliable use, low maintenance, and minimal overall cost of ownership.

**44SS / 44SSLP**

# SPECIFICATIONS

**Model:** 44SS / 44SSLP Power Meat Cutter 18" (457 mm) saw blade wheels.

HP	TYPE	VOLTS	AMPS	CYCLE	PH	STATUS
3	DP	208-220/440	10.5-9.6/4.8	60	3	STD
3	TE	208-230	15.4-14	60	1	EC
3	TE	110/220	6.25/12.5	50	1	EC
5	MR	208-220/440	17-16/8	60	3	EC
5	MR	575	5.9	60	3	EC
5	MR	208/380-415	16/9.3-5	50	3	EC

DP = Drip Proof    TE = Totally Enclosed    MR = Moisture Resistant  
 STD = Standard    EC = Extra Cost

**Construction:** Stainless steel head and base structure.

**Standard Features:** Two saw blades, operation and parts manual, safety wall poster, end cut safety pusher plate.

**Switch:** Watertight magnetic with thermal overload and under voltage protection.

**Head and Door:** Stainless steel head, movable, door removable.

**Base Structure:** Stainless steel.

**Blade Standard:** Hard tooth, three teeth per inch (8.5 mm between teeth), 135" (3429 mm) long x 5/8" (16 mm) wide, .022" (.56 mm) thick (two supplied with each saw). On 44SSLP, same as above except 124" (3149 mm) long x 0.14" (36 mm) thick.

**Blade Speed:** Std. 4000 feet (1219 m) per minute approx. / 44SSLP 5000 feet (1524 m) per minute approx.

**Blade Back-up Guides:** Upper and lower blade backup guide assemblies, removable, with long life carbide back-up inserts.

**Blade Tension:** Ratchet arm and cam against pound tested spring and tension spring gauge.

**Blade Wheels:** 18" (457 mm) cast iron, chrome nickel plating, upper wheel assembly lifts out.

**Bearings:** Heavy duty tapered roller bearings used in upper wheel and lower bearing housings.

**Catch Pan:** Poly, extra deep (rounded corners) pan sealed off from other parts of base, accessible through base hinged door.

**Cleaning Unit:** Stainless steel body, long life carbide guide insert, steel saw cleaners, removable as a unit for easy cleaning (assembly also adjustable as a unit).

**Drive System:** Non slip silent v-belt, tension adjustable.

**Legs:** Four stainless steel leg bolt levelers.

**Meat Carriage:** Stainless steel with eight stainless steel bearings, e-z flow.

**Meat Gauge Plate:** Stainless steel faced, adjustable from 1/16" (1.59 mm) to 6-1/2" (165 mm) locks in position, can be disengaged, entire assembly removable for cleaning. On 44SSLP, optional precision thickness gauge fence.

**Motor Compartment:** Sealed off from meat contact areas, easily accessible through removable panel door.

**Rear Platter:** All stainless steel, held in place with two push pull hold down stainless steel rods. On 44SSLP, split rear platter is standard.

**Safety End Cut Pusher Plate:** Standard, removable, pusher plate storage hanger provided.

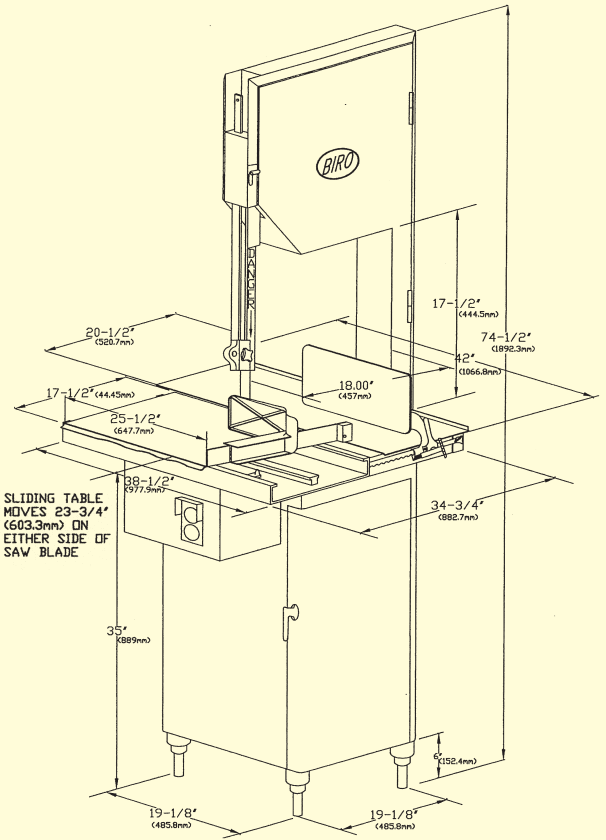
**Options (EC):** Power cord and plug, stationary front table, double saw guide bar, low profile head (shown), 1" wide saw blade system, left hand feed, double moving carriage, roller tops, double flange cast blade wheels, narrow guides for .018/0.46 mm thick blade, split (2 pc) rear stationary platter, micro gauge assembly (not shown in photo, see drawing), longer meat gauge plates, meat gauge plate stabilizer, stainless steel single flange cast blade wheels.

**Options (NC):** Higher blade speed, 5000 feet (1524 m), 6000 feet (1829 m) per minute.

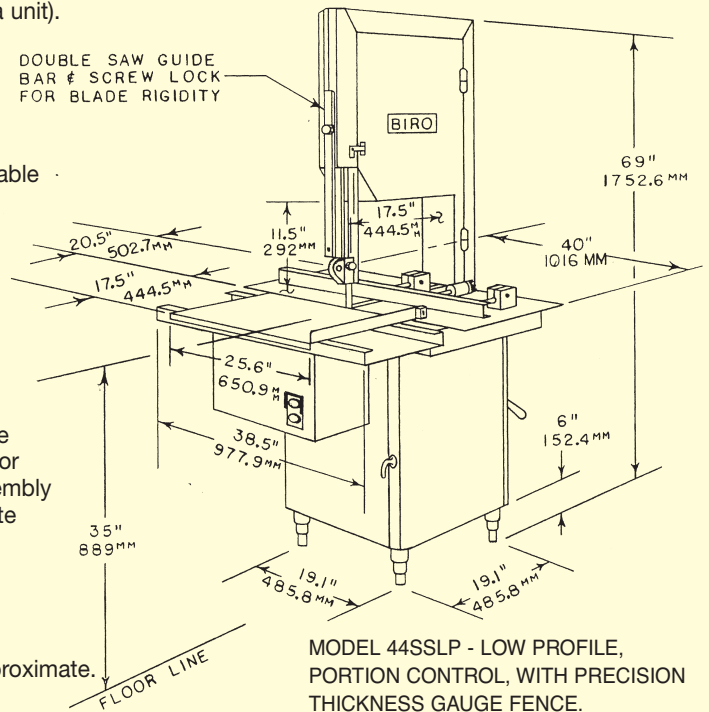
**Certification:** U.S.D.A., U.L., N.S.F., C.F.I.A. (C.S.A., STD., DP, 3HP-230-60-3)

**Weight:** Uncrated: 600 lbs. (272 kg) approximate. Crated: 700 lbs (317 kg) approximate.

**Dimensions Crated:** L=54" (137.2 cm), W=45" (114.3 cm), H=38" (96.5 cm).



MODEL 44SS - STANDARD CONFIGURATION.



MODEL 44SSLP - LOW PROFILE, PORTION CONTROL, WITH PRECISION THICKNESS GAUGE FENCE.

**THE BIRO MANUFACTURING COMPANY**  
 1114 WEST MAIN STREET  
 MARBLEHEAD, OH 43440-2099 U.S.A.

Phone: (419) 798-4451  
 Fax: (419) 798-9106

<http://www.birosaw.com>  
[sales@birosaw.com](mailto:sales@birosaw.com)

ITEM NO.: LIT 44-058  
 FORM NO.: Md 44SRS-058-6-11-31-ENG-MARK

All specifications contained herein are subject to change without notification.

Service is available from over 260 locations worldwide